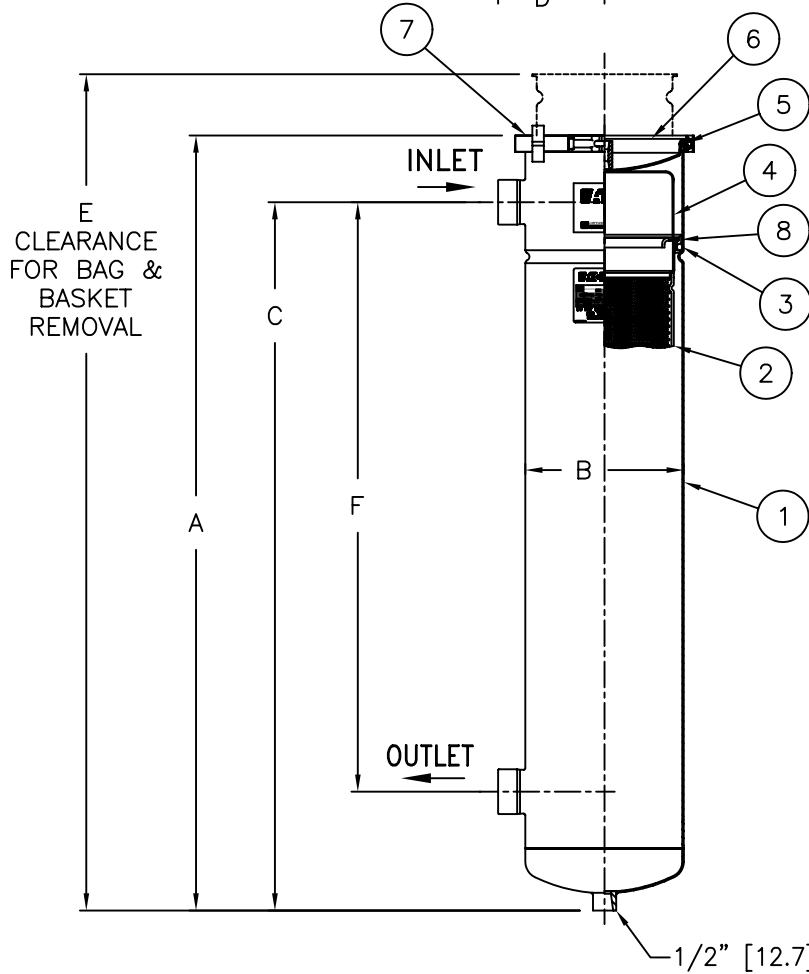
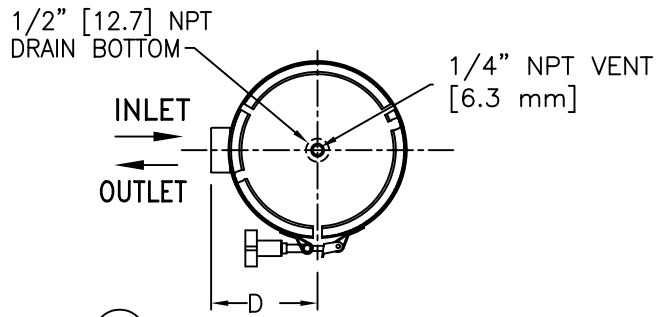


PIPE SIZE (NOM)	PART NUMBER	BAG SIZE	A IN. / MM	B IN. / MM	C IN. / MM	D IN. / MM	E IN. / MM	F IN. / MM	FLOW RATE GPM (MAX)	WEIGHT LBS / KGS
1-1/2" (38.1mm)	F3AVEB00103-304	02	37.55 / 953.7	7.68 / 195	34.31 / 871.4	5.15 / 130.8	67.5 / 1714.5	28.55 / 725.1	180	38 / 17.2



NO.	PART NAME	MATERIAL
1	BODY	304 STAINLESS STEEL
2	RESTRAINER BASKET	304 STAINLESS STEEL
3	ADAPTOR O-RING	BUNA-N
4	BAG HOLD DOWN	304 STAINLESS STEEL
5	O-RING	BUNA-N
6	COVER	304 STAINLESS STEEL
7	V-CLAMP	STAINLESS STEEL
8	ADAPTOR PLATE	STAINLESS STEEL

NOTES:

1. INLET/OUTLET "NPT" THREADED CONNECTIONS PER ANSI B1.20.1.
2. MAWP: 100 PSI @ 250 °F (6.8 BAR @ 121.1 °C)

CERTIFIED FOR:
P.O. NO.:
REG. NO.:
QUOTE NO.:
TAG NO.:
FILTER BAG:
VESSEL CODE: EBF-0102-BB07-015N-L

EATON	EATON FILTRATION, LLC 900 FAIRMOUNT AVENUE, ELIZABETH, NEW JERSEY 07207
	NAME ECOLINE (EBF-02) FILTER VESSEL 1-1/2" NPT THREADED CONNECTION STAINLESS STEEL-304

DRAWN	FJM	DATE	06/26/06	CERT.	LH	DATE	06/26/06
SIZE	DWG NO	EBF15XS-SS0-304				REV	A
A							A

ELECTRONIC FILE NAME: EBF15XS-SS0-304.DWG
REF. ECR E041 DATE 06/26/06

UNAUTHORIZED USE, MANUFACTURE OR REPRODUCTION IN WHOLE OR IN PART IS PROHIBITED. DRAWING, DESIGN AND OTHER DISCLOSURES PROPERTY OF EATON FILTRATION, LLC