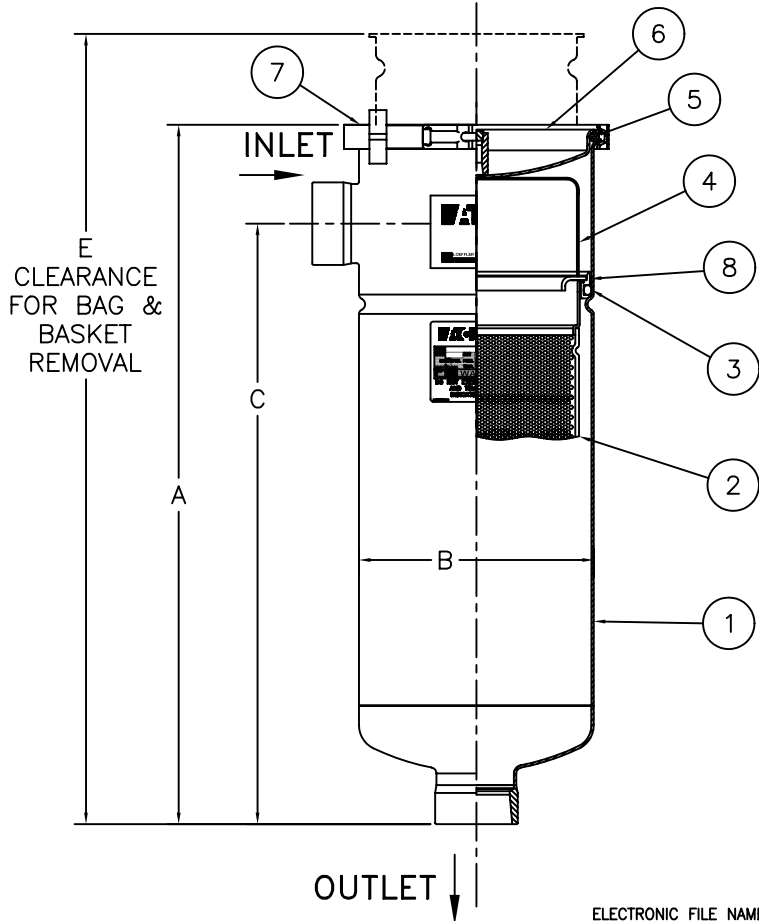
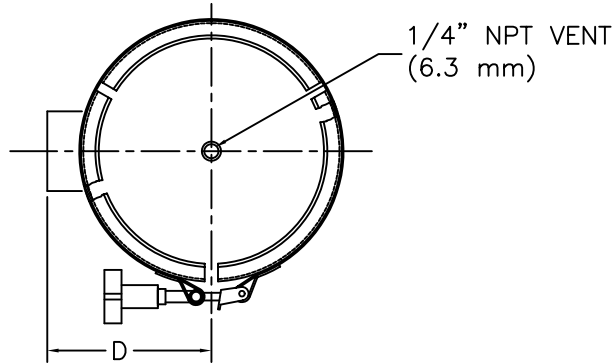


PIPE SIZE (NOM)	PART NUMBER	VESSEL CODE	BAG SIZE	A IN. / MM	B IN. / MM	C IN. / MM	D IN. / MM	E IN. / MM	FLOW RATE GPM (MAX)	WEIGHT LBS / KGS
2 (50.8mm)	EBF0111SB02T304	EBF-0101-BB07-020N	01	22.88 / 581	7.68 / 195	19.64 / 499	5.37 / 136	37.00 / 940	90	25 / 11.3
2 (50.8mm)	EBF0112SB02T304	EBF-0102-BB07-020N	02	38.50 / 977	7.68 / 195	35.19 / 894	5.37 / 136	68.00 / 1727	180	38 / 17.2



NO.	PART NAME	MATERIAL
1	BODY	304 STAINLESS STEEL
2	RESTRAINER BASKET	304 STAINLESS STEEL
3	ADAPTOR O-RING	BUNA-N
4	BAG HOLD DOWN	304 STAINLESS STEEL
5	O-RING	BUNA-N
6	COVER	304 STAINLESS STEEL
7	V-CLAMP	STAINLESS STEEL
8	ADAPTOR PLATE	STAINLESS STEEL

NOTES:

1. INLET/OUTLET "NPT" THREADED CONNECTIONS PER ANSI B1.20.1.
2. MAWP: 100 PSI @ 250 °F
(6.8 BAR @ 121.1 °C)

CERTIFIED FOR:

P.O. NO.:

REG. NO.:

QUOTE NO.:

TAG NO.:

FILTER BAG:

EATON	EATON FILTRATION, LLC 900 FAIRMOUNT AVENUE, ELIZABETH, NEW JERSEY 07207
	NAME ECOLINE (EBF) FILTER VESSEL 2" NPT THREADED CONNECTION STAINLESS STEEL-304

DRAWN	FJM	DATE	06/26/06	CERT.	LH	DATE	06/26/06
SIZE	DWG	EBF11XS-304				REV	A
A	NO						

ELECTRONIC FILE NAME: EBF11XS-304.DWG
REF. ECR E041 DATE 06/26/06

UNAUTHORIZED USE, MANUFACTURE OR REPRODUCTION IN WHOLE OR IN PART IS PROHIBITED. DRAWING, DESIGN AND OTHER DISCLOSURES PROPERTY OF EATON FILTRATION, LLC