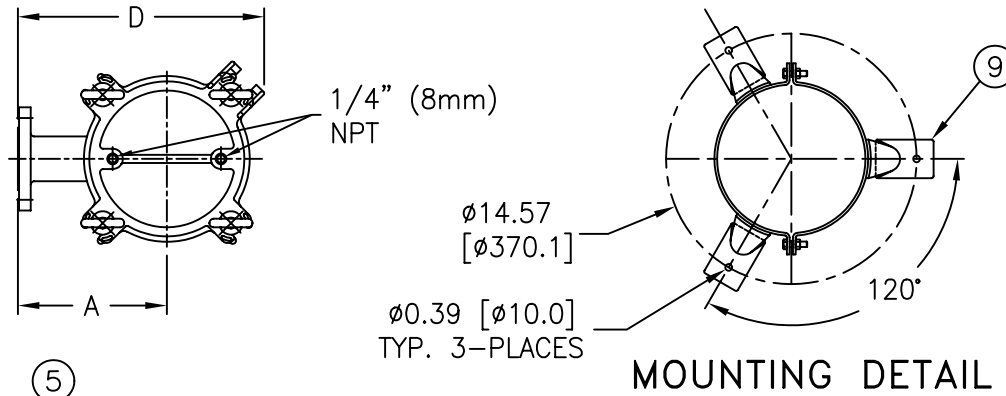
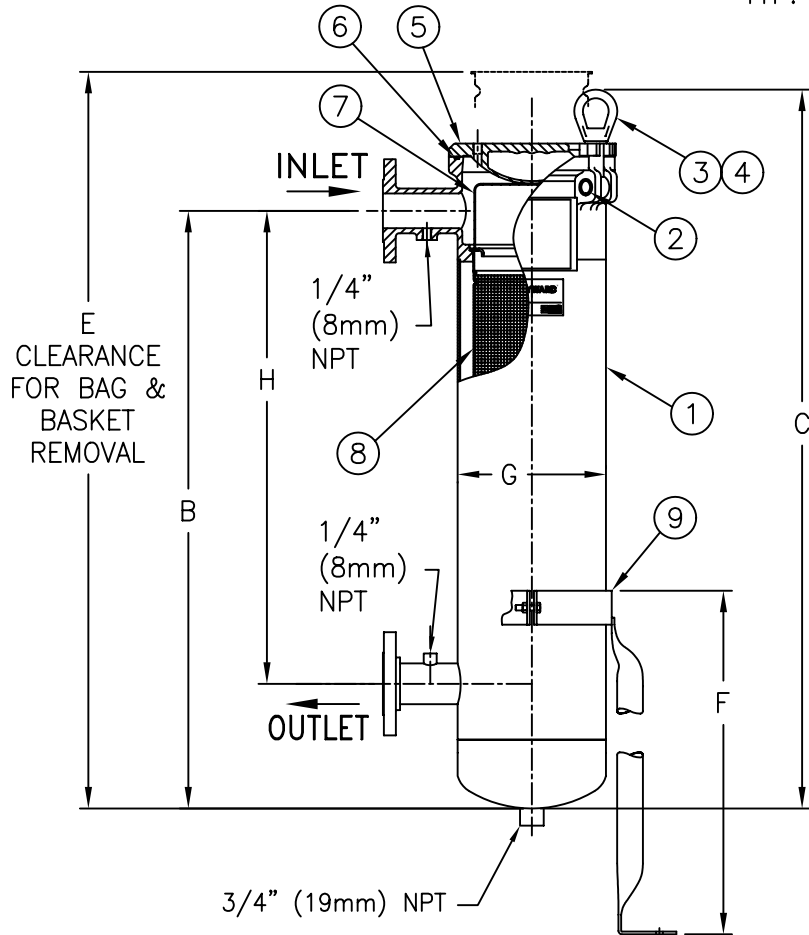


| PART NUMBER | BAG SIZE | A IN. / MM | B IN. / MM | C IN. / MM | D IN. / MM | E IN. / MM | F IN. / MM | G IN. / MM | H IN. / MM | FLOW RATE GPM (MAX) | WEIGHT LBS / KGS |
|-------------|----------|---------------|---------------|----------------|---------------|---------------|---------------|---------------|---------------|------------------------|---------------------|
| F3AVSB0005 | 02 | 8.66 / 220 | 34.75 / 882.6 | 41.80 / 1061.7 | 14.38 / 365 | 69.00 / 1753 | 24.40 / 619 | 8.62 / 219 | 27.50 / 698.5 | 180 | 102 / 46.3 |



| NO. | PART NAME | MATERIAL |
|-----|-------------------|---|
| 1 | BODY | SA-351 CF8M SA-312 TP 316 SA-403 TP 316 |
| 2 | PIN | SA-193 GR B7, ZINC PL |
| 3 | EYE BOLT | SA-193 GR B7, ZINC PL |
| 4 | EYE NUT | SA-194 GR 2H, ZINC PL |
| 5 | COVER | SA-351 CF8M |
| 6 | O-RINGS | BUNA-N |
| 7 | BAG HOLD DOWN | 316 STAINLESS STEEL |
| 8 | RESTRAINER BASKET | 316 STAINLESS STEEL |
| 9 | LEGS | STAINLESS STEEL |



NOTES:

- VESSEL DESIGNED AND CONSTRUCTED & UM STAMPED IN ACCORDANCE WITH ASME SECTION VIII, DIV 1 LATEST EDITION AND ADDENDA.
- INLET/OUTLET FLANGED CONNECTIONS PER ANSI B16.5.
- MAWP: 150 PSI @ 250° F (10.3 BAR @ 121.3° C)
MDMT: -20° F @ 150 PSI (-28.9° C @ 10.3 BAR)
HYDROTEST: 225 PSI (15.5 BAR)
- ALL DIMENSIONS ARE IN INCHES / [mm]

CERTIFIED FOR:
P.O. NO.:
REG. NO.:
QUOTE NO.:
TAG NO.:
FILTER BAG:

| | | | | | | | |
|--------------|--|-------------|----------|-------|----|------|----------|
| EATON | EATON FILTRATION, LLC 900 FAIRMOUNT AVENUE, ELIZABETH, NEW JERSEY 07207 | | | | | | |
| | NAME: SIDELINE (SBF) FILTER VESSEL 2" 150#RF FLANGED CONNECTION STAINLESS STEEL | | | | | | |
| DRAWN | FJM | DATE | 01/09/04 | CERT. | LH | DATE | 01/09/04 |
| SIZE | DWG | SBF02XS-SSO | | | | REV | B |
| A | NO | | | | | | |

ELECTRONIC FILE NAME: SBF02XS-SSO.DWG
REF. ECR D637 DATE 01/03/06

UNAUTHORIZED USE, MANUFACTURE OR REPRODUCTION IN WHOLE OR IN PART IS PROHIBITED. DRAWING, DESIGN AND OTHER DISCLOSURES PROPERTY OF EATON FILTRATION, LLC