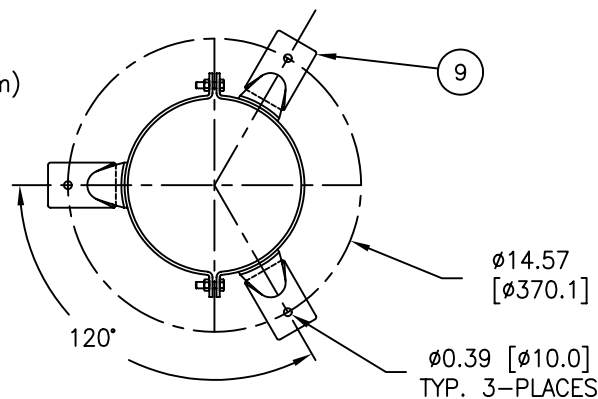
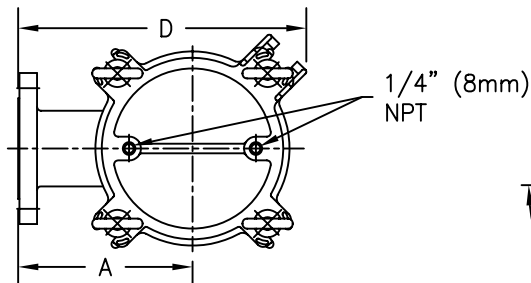
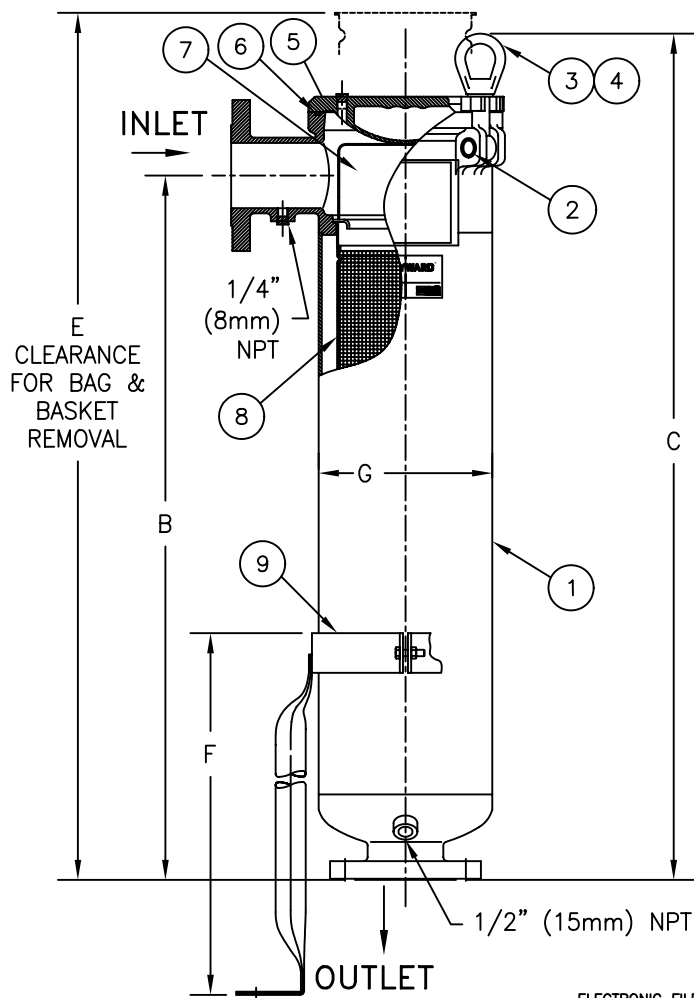


PART NUMBER	BAG SIZE	A IN. / MM	B IN. / MM	C IN. / MM	D IN. / MM	E IN. / MM	F IN. / MM	G IN. / MM	FLOW RATE GPM (MAX)	WEIGHT LBS / KGS
SBF0111SB03F	01	8.66 / 220	19.50 / 495	26.62 / 676	14.38 / 365	38.00 / 965	24.40 / 619	8.62 / 219	90	96 / 43.5
SBF0112SB03F	02	8.66 / 220	35.00 / 889	42.12 / 1070	14.38 / 365	69.00 / 1753	24.40 / 619	8.62 / 219	180	114 / 51.7



MOUNTING DETAIL

NO.	PART NAME	MATERIAL
1	BODY	SA-351 CF8M SA-312 TP 316
2	PIN	SA-193 GR B7, ZINC PL
3	EYE BOLT	SA-193 GR B7, ZINC PL
4	EYE NUT	SA-194 GR 2H, ZINC PL
5	COVER	SA-351 CF8M
6	O-RINGS	BUNA-N
7	BAG HOLD DOWN	316 STAINLESS STEEL
8	RESTRAINER BASKET	316 STAINLESS STEEL
9	LEGS	STAINLESS STEEL



NOTES:

1. VESSEL DESIGNED, CONSTRUCTED & "UM" STAMPED ACCORDANCE WITH ASME SECTION VIII, DIV. 1 LATEST EDITION AND ADDENDA.
2. INLET/OUTLET FLANGED CONNECTIONS PER ANSI B16.5.
3. MAWP: 150 PSI @ 250° F  
(10.3 BAR @ 121.1° C)  
  
MDMT: -20° F @ 150 PSI  
(-28.9° C @ 10.3 BAR)
4. MAXIMUM OPERATING TEMP. 400° F (204.4° C) WITH VITON O-RING.

CERTIFIED FOR:  
P.O. NO.:  
REG. NO.:  
QUOTE NO.:  
TAG NO.:  
FILTER BAG:

UNAUTHORIZED USE, MANUFACTURE OR REPRODUCTION IN WHOLE OR IN PART IS PROHIBITED. DRAWING, DESIGN AND OTHER DISCLOSURES PROPERTY OF EATON FILTRATION, LLC

<b>EATON</b>		<b>EATON FILTRATION, LLC</b> 900 FAIRMOUNT AVENUE, ELIZABETH, NEW JERSEY 07207					
		NAME SIDELINE (SBF) FILTER VESSEL 3"-150#RF FLANGED CONNECTION STAINLESS STEEL					
DRAWN	LF	DATE	7/27/99	CERT.	FM	DATE	7/27/99
SIZE	DWG NO	SBF11XS3				REV	D
A							

ELECTRONIC FILE NAME: SBF11XS3.DWG  
REF. ECR D637 DATE 01/03/06