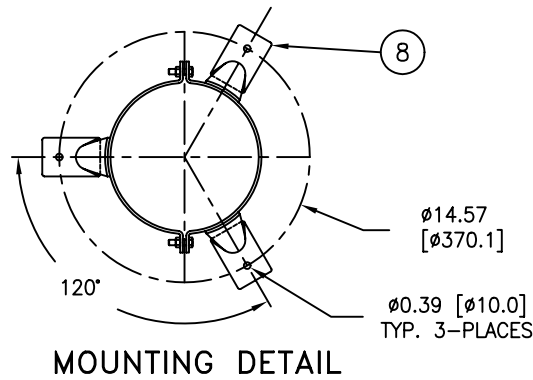
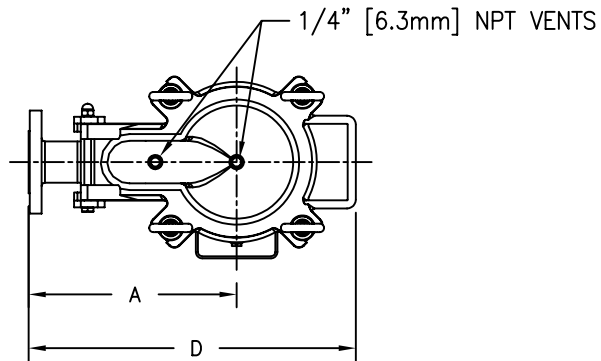
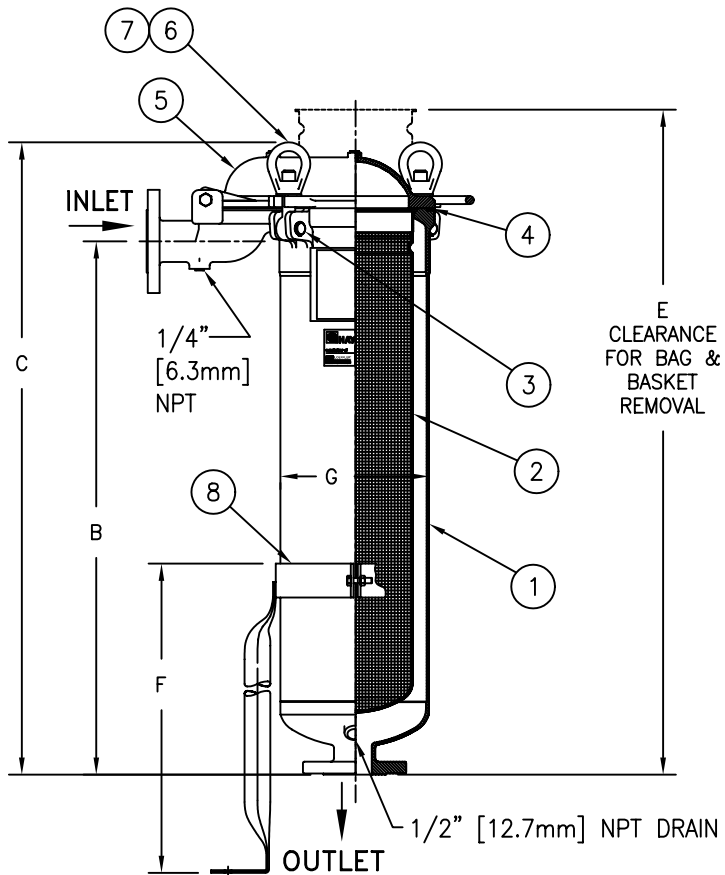


PART NUMBER	BAG SIZE	A IN. / MM	B IN. / MM	C IN. / MM	D IN. / MM	E IN. / MM	F IN. / MM	G IN. / MM	FLOW RATE GPM (MAX)	WEIGHT LBS / KGS
TBF0111SB02F	01	12.10 / 307	15.50 / 394	21.25 / 540	19.12 / 486	32.00 / 813	24.40 / 619	8.62 / 219	90	80 / 36.3
TBF0112SB02F	02	12.10 / 307	31.00 / 787	36.75 / 934	19.12 / 486	63.00 / 1600	24.40 / 619	8.62 / 219	180	93 / 42.2



NO.	PART NAME	MATERIAL
1	BODY	SA-351 CF8M SA-312 TP 316
2	RESTRAINER BASKET	316 STAINLESS STEEL
3	PIN	SA-193 GR B7, ZINC PL
4	O-RINGS (2)	BUNA-N
5	COVER	SA-351 CF8M
6	EYE BOLT	SA-193 GR B7, ZINC PL
7	EYE NUT	SA-194 GR 2H, ZINC PL
8	LEGS	STAINLESS STEEL



NOTES:

1. VESSEL DESIGNED, CONSTRUCTED & "UM" STAMPED IN ACCORDANCE WITH ASME SECTION VIII, DIV. 1 LATEST EDITION AND ADDENDA.
2. INLET/OUTLET FLANGED CONNECTIONS PER ANSI B16.5.
3. MAWP: 150 PSI @ 250° F
(10.3 BAR @ 121.1° C)
MDMT: -20° F @ 150 PSI
(-28.9° C @ 10.3 BAR)
4. MAXIMUM OPERATING TEMP. 400° F (204.4° C) WITH VITON O-RING.

CERTIFIED FOR:
P.O. NO.:
REG. NO.:
QUOTE NO.:
TAG NO.:
FILTER BAG:

UNAUTHORIZED USE, MANUFACTURE OR REPRODUCTION IN WHOLE OR IN PART IS PROHIBITED. DRAWING, DESIGN AND OTHER DISCLOSURES PROPERTY OF EATON FILTRATION, LLC

EATON		EATON FILTRATION, LLC			
		900 FAIRMOUNT AVENUE, ELIZABETH, NEW JERSEY 07207			
NAME		TOPLINE (TBF) FILTER VESSEL 2"-150#RF FLANGED CONNECTION STAINLESS STEEL			
DRAWN	LF	DATE	7/27/99	CERT.	FM
DATE	7/27/99	TBF11XS		REV	D

ELECTRONIC FILE NAME: TBF11XS.DWG
REF. ECR D637 DATE 12/21/05